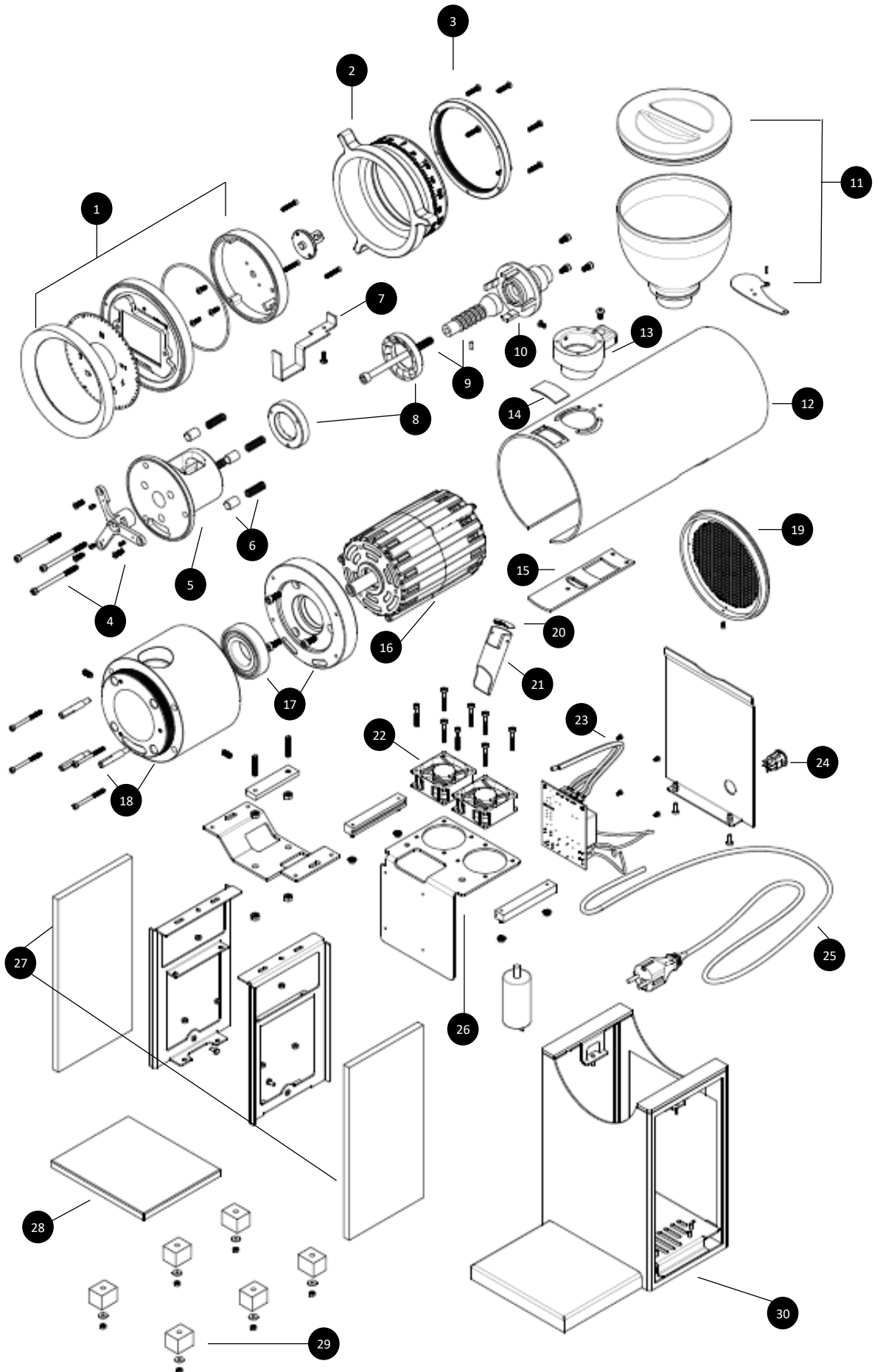




SPARE PARTS LIST

Vertical 63





SPARE PARTS LIST

Vertical 63

Position	Order Number	Description
1	2922094	Display
2	2811085	Grind Adjustment Ring
3	2112088	Thin-Section Ball Bearing
4	2812097	Y Display Fixture with Screws
5	2811074	Fixed Burr Carrier
6	2111089	Springs and Spring Holders
7	2411096	Security Display Lock
8	2311000	Burr Set
9	2811081	Auger and Auger Screw
10	2811073	Burr Carrier
11	2612005	Hopper including Lid and Slider
12	281106119005	Casing Black Matt
12	281106119010	Casing White
12	281106119000	Casing Custom Color
13	2612009	Hopper Adapter
14	2642064	Grind Adjustment Lens
15	2842062	Outlet Cover
16	2551002	Motor 230V
16	2551001	Motor 110V
17	2811066	Motor Flange including Bearing
18	2811070	Grinding Chamber
19	2612065	Grid
20	2411021	Anti-Static Plate
21	2612023	Outlet
22	21052012	Fan Set
23	21022017	Power Board Complete
24	21052014	On/Off Switch
25	24520151	Power Cord Type A
25	24520152	Power Cord Type C
25	24520153	Power Cord Type G
25	24520154	Power Cord Type N
26	2911058	Aluminium L for Power Board
27	2743042	Wooden Side Panels Walnut
27	2743042	Wooden Side Panels Light Oak
27	2743042	Wooden Side Panels Dark Oak
28	2743041	Wooden Drip Tray Walnut
28	2743041	Wooden Drip Tray Light Oak
28	2743041	Wooden Drip Tray Dark Oak
29	2614060	Set of 6 Rubber Feet
30	2111052	Foot Complete Set Black Matt
30	2111052	Foot Complete Set White
30	2111052	Foot Complete Custom Color